



Accessories

Limit switches with roller lever ES

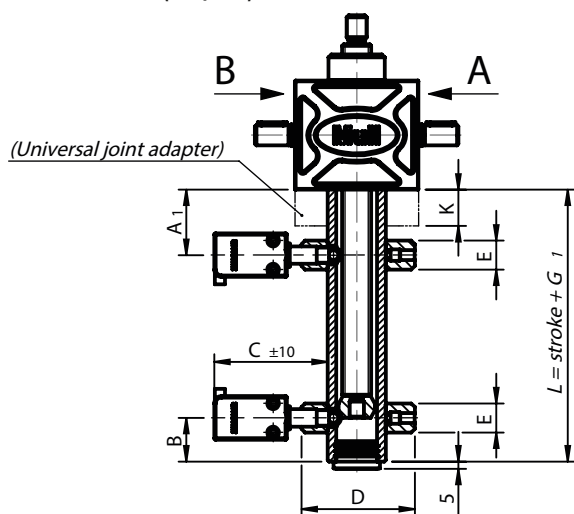
Suitable for end-position shutoff.

Standard installation side B (see Fig.).

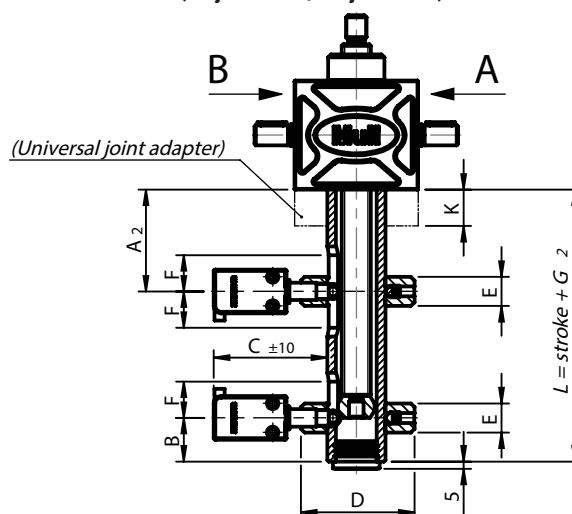
Note: If installation on other side, please specify.



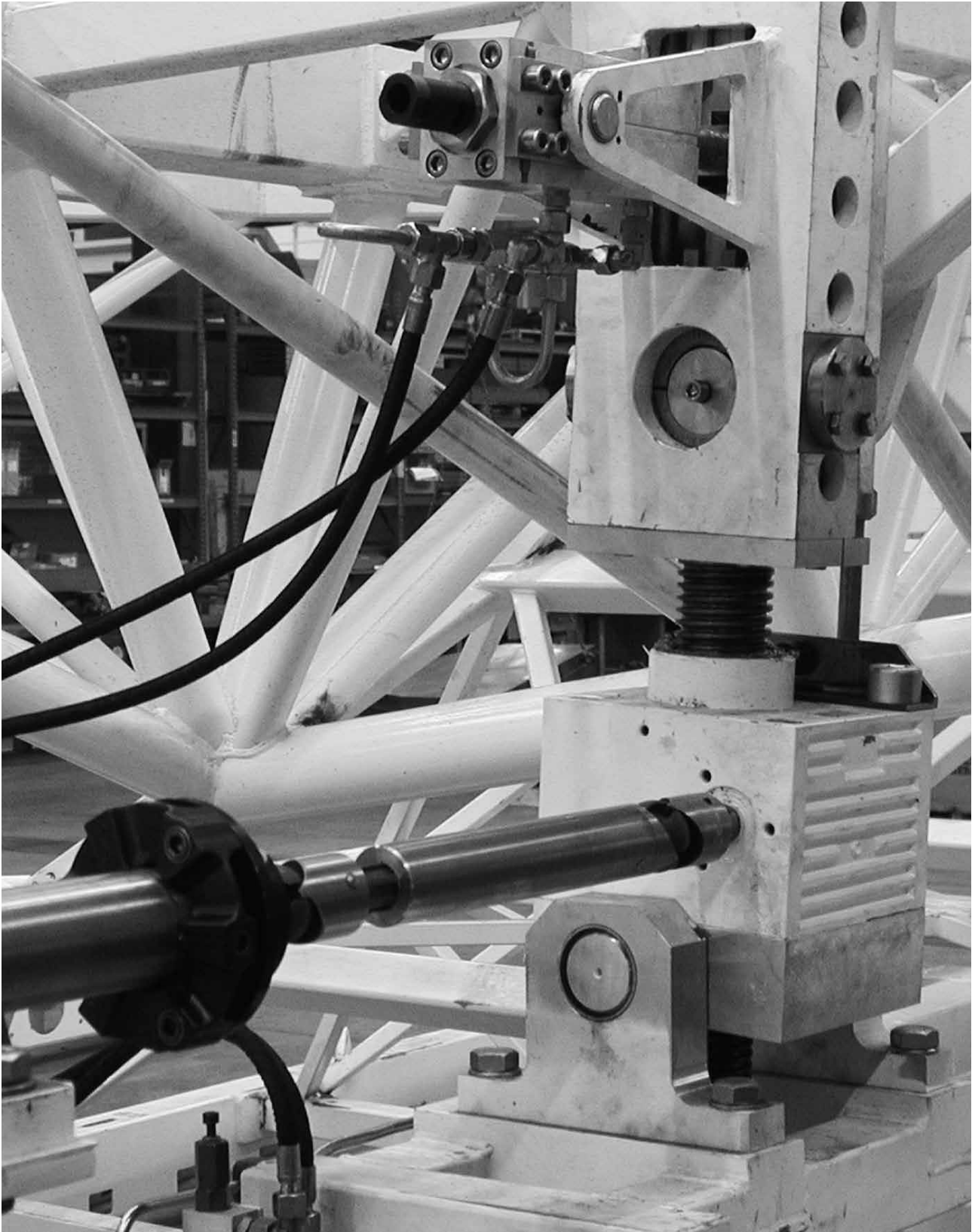
Limit switches (fix / fix)



Limit switches (adjustable / adjustable)



| Dimensions | | | | | | | | | | |
|------------|-----------------|----------------|----|----|-----|----|----|----------------|----------------|-----|
| Size | Dimensions [mm] | | | | | | | | | |
| | A ₁ | A ₂ | B | C | D | E | F | G ₁ | G ₂ | K |
| MULI 0 | 35 | 60 | 30 | 80 | 70 | 20 | 25 | 77 | 102 | 15 |
| MULI 1 | 40 | 65 | 30 | 80 | 80 | 20 | 25 | 82 | 107 | 20 |
| MULI 2 | 45 | 70 | 30 | 80 | 80 | 20 | 25 | 87 | 112 | 25 |
| MULI 3 | 50 | 75 | 30 | 80 | 90 | 20 | 25 | 92 | 117 | 30 |
| MULI 4 | 60 | 85 | 30 | 80 | 100 | 20 | 25 | 102 | 127 | 40 |
| MULI 5 | 70 | 95 | 30 | 80 | 120 | 20 | 25 | 112 | 137 | 50 |
| JUMBO 1 | 80 | 105 | 30 | 80 | 140 | 20 | 25 | 122 | 147 | 60 |
| JUMBO 2 | 100 | 125 | 30 | 80 | 160 | 20 | 25 | 142 | 167 | 80 |
| JUMBO 3 | 100 | 125 | 30 | 80 | 160 | 20 | 25 | 142 | 167 | 80 |
| JUMBO 4 | 110 | 135 | 30 | 80 | 170 | 20 | 25 | 152 | 177 | 90 |
| JUMBO 5 | 120 | 145 | 30 | 80 | 190 | 20 | 25 | 162 | 187 | 100 |



Loading a wing for final assembly at Airbus S.E.S. in Toulouse, France